

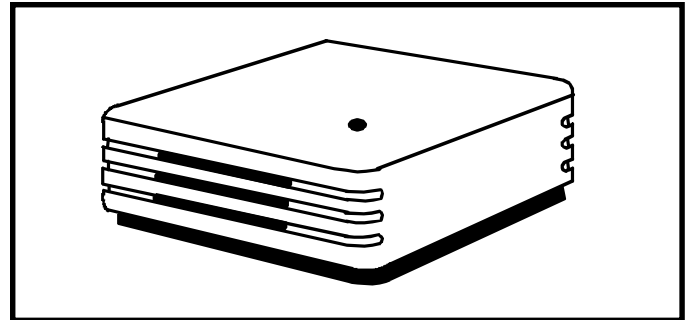
PTAC Remote Temperature Sensor

Installation Instructions

Description

The PTAC Remote Temperature Sensor provides accurate room temperature sensing from a central location. This unique accessory allows the control functions to remain at the unit.

The installation and servicing of the equipment referred to in these instructions must be performed by qualified, experienced technicians.



Temperature Sensor Location

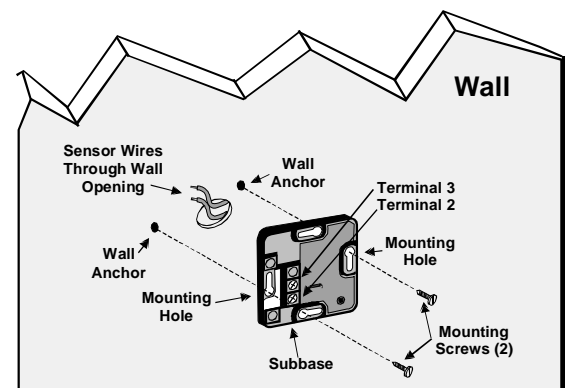
For best performance results, place the remote temperature sensor approximately 5 feet above the floor on an inside wall in an area with good air circulation. Mount the sensor so that it senses the temperature of the room where the occupants will be spending most of their time.

Do not install the sensor where it can be affected by the following:

- Dead spots behind doors, in corners or under cabinets
- Hot or cold drafts from air ducts
- Radiant heat from the sun, appliances, or fireplaces
- Concealed pipes and chimneys
- Surfaces affected by a cold or heat source on side opposite the sensor

Sensor Installation

1. Loosen the screw in the lower right corner of the decorative cover and pull the decorative cover off the sensor base.
2. Position the sensor base on the wall, in the desired location, and mark two mounting holes as shown in the sensor base mounting illustration.
3. Pull two sensor wires through the opening in the sensor base and secure the sensor base to the wall using wall anchors, if required. Obtain the wall anchors locally. Be careful not to let the wires fall into the wall opening.
4. Connect wires to terminals 2 & 3. Use two 20 gage thermostat wires (maximum wire length-50 feet). Shielded twisted pair wiring is not required.
5. Reinstall decorative cover.



Sensor Base Mounting

Wiring the Sensor



WARNING

To prevent death, personal injury or property damage due to electrical shock, disconnect electrical power to the unit before installing any accessory kit or performing any maintenance.



WARNING

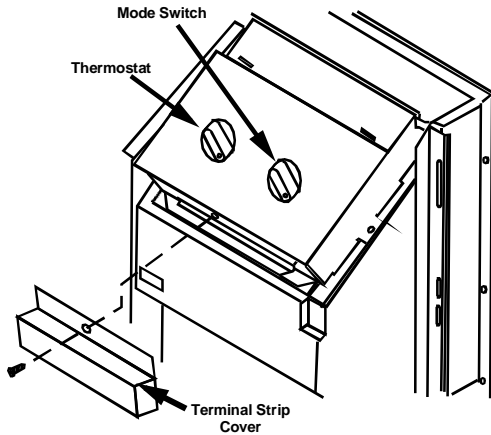
To prevent death, personal injury or property damage due to electrical shock, do not run any thermostat wiring in a conduit with electrical power wiring.

1. Disconnect power to the unit.
2. Remove the PTAC cabinet front to expose the control panel area.
3. Set the Remote/Standard (RMT/STD) switch on the control board to the STANDARD position.

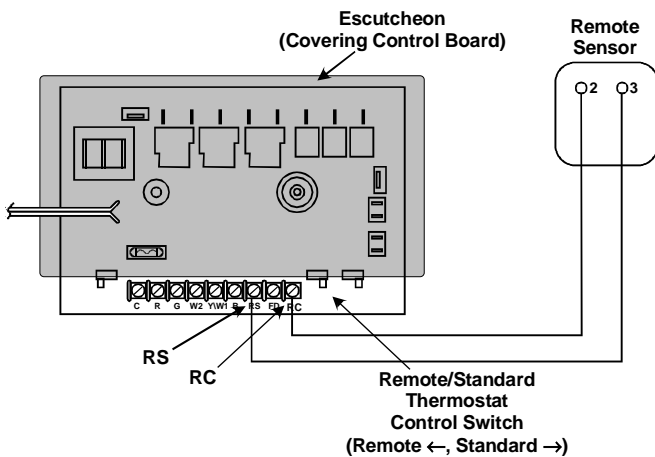
NOTE: The steps following will be completed according to your control board type. If your unit has a terminal strip cover, complete steps 4 through 7. If your unit does not have a terminal strip cover, complete steps 8 through 11.

“A” and “B” Models

4. Remove the terminal strip cover by removing the screw securing it to the control panel.



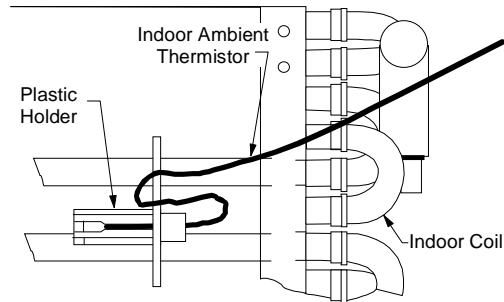
5. Strip and connect the end of the sensor wires to the RC and RS terminals on the PTAC control board.



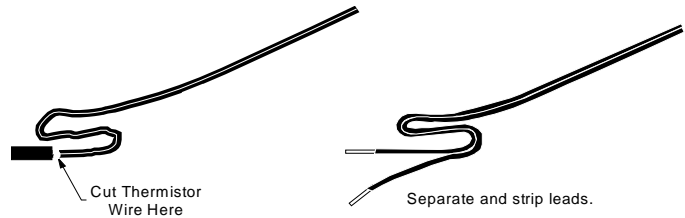
6. Replace the terminal strip cover and reinstall cabinet front.
7. Place the mode switch in the “OFF” position. Reestablish power to the unit.

“C” Models or Later

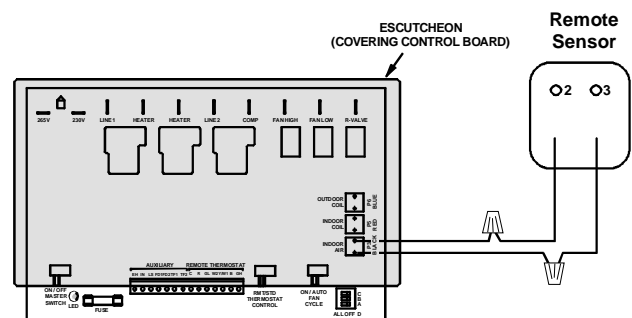
8. Remove indoor ambient thermistor from plastic holder on indoor coil.



9. Cut off end of thermistor, separate leads 1” back from cut and strip 1/2” of insulation from each lead.



10. Wire nut the stripped leads to the two sensor wires running from terminals 2 and 3 on the remote temperature sensor base .



11. Place the mode switch in the “OFF” position. Reestablish power to the unit. The remote temperature will automatically activate.

NOTE: Ensure the mode switch is in the OFF position before electrical power is applied to the unit. If the mode switch is not in the OFF position when electrical power is applied to the unit, the random restart feature will activate causing a two to four minute start-up delay.