

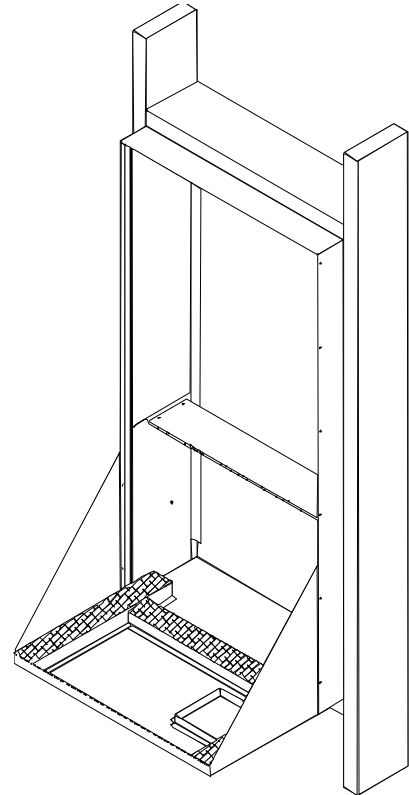
# Single Package Vertical Unit Wall Sleeve

# Installation Instructions

The Single Package Vertical Unit (SPVU) wall sleeve provides structural support and weather-tight seal against wind and water infiltration for the SPVU. Three wall sleeve sizes are available to accommodate wall thickness from 5" to 15". Each sleeve includes a factory-installed "weather guard" to cover the sleeve opening during construction.

## Table of Contents

General .....	2
Unit Features .....	2
Unit Location .....	2
Transportation Damage .....	2
Unit Accessories .....	3
Grille Installation Instructions .....	3
Installation Instructions .....	3



**RECOGNIZE THIS SYMBOL AS A SAFETY PRECAUTION**

## ATTENTION INSTALLING PERSONNEL

As a professional installer you have an obligation to know the product better than the customer. This includes all safety precautions and related items.

Prior to actual installation, thoroughly familiarize yourself with this Instruction Manual. Pay special attention to all safety warnings. Often during installation or repair it is possible to place yourself in a position which is more hazardous than when the unit is in operation.

Remember, it is your responsibility to install the product safely and to know it well enough to be able to instruct a customer in its safe use.

Safety is a matter of common sense...a matter of thinking before acting. Most dealers have a list of specific good safety practices...follow them.

The precautions listed in this Installation Manual should not supersede existing practices but should be considered as supplemental information.

## General

These instructions give information relative to the Single Package Vertical Unit wall sleeve and grille installation only. The manufacturer assumes no responsibility for equipment installed in violation of any code requirements. For other related equipment refer to the proper instructions.

## Unit Features

This unit has many features which are different than those found on conventional wall sleeves. The servicer must be familiar with these features in order to properly install and service the unit.

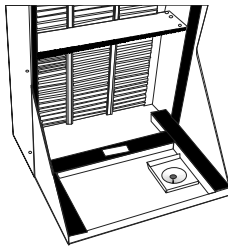


Figure 1

- Unique "Sleeve Drain" Condensate System - A factory-installed drain line connects the evaporator drain pan to a vertical pipe connection in the vertical PTAC wall sleeve basepan. Evaporator condensate is delivered from the vertical PTAC unit to a catch tray in the wall sleeve and further carried through the sleeve to a condensate riser via a 3/4" male NPT fitting.
- Secondary Overflow - The secondary overflow prevents overflow into the closet or living area. If in the unlikely event the primary condensate riser becomes clogged and water fills the catch tray, water is diverted from the tray through the sleeve to the exterior of the building.

## Unit Location

Provisions should be made to allow access to the indoor side of the unit for installation and inspection. The closet or access panel opening must be centered with the exterior wall opening and be at least 24" wide by 84" tall (Figure 2). Three (3) inches of unobstructed space is required on the left and right sides of the sleeve and 8-1/2 inches of space is required from the rear of the sleeve to provide sufficient air flow around the unit. At least 27- 3/8" inches of unobstructed space should be provided in front of the access door to permit removal of the unit should repair and inspection be required.

For installations requiring access panels, contact your authorized dealer.

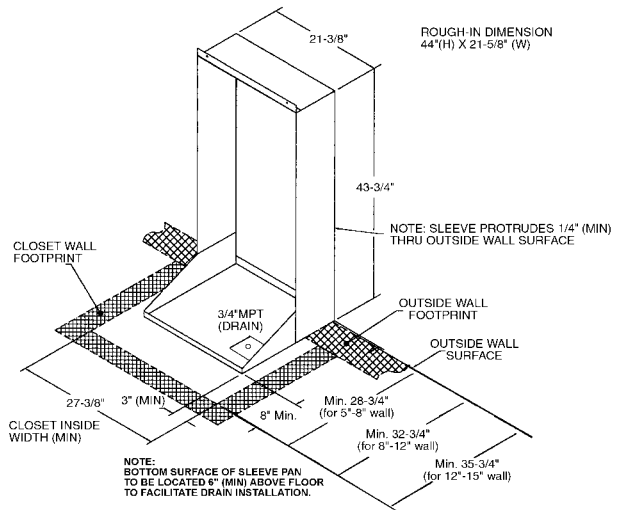


Figure 2

## Transportation Damage

The wall sleeve is shipped in one package. Material in this shipment has been inspected at the factory and released to the transportation agency in good condition. When received, a visual inspection of the package should be made immediately. Any evidence of rough handling or apparent damage should be noted on the delivery receipt and the material inspected in the presence of the carrier's representative. If damage is found a claim should be filed against the carrier immediately.

In the event of damage, the consignee should:

1. Make notation on delivery receipt of any visible damage to shipment or container.
2. Notify carrier promptly and request an inspection.
3. In case of concealed damage, carrier must be notified as soon as possible—preferably within 5 days.
4. File the claim with the following supporting documents within the 6 month statute of limitations.
  - a. Original Bill of Lading, certified copy, or indemnity bond.
  - b. Original paid freight bill or indemnity in lieu thereof.
  - c. Original invoice or certified copy thereof, showing trade and other discounts or reductions.
  - d. Copy of the inspection report issued by carrier's representative at the time damage is reported to the carrier

The carrier is responsible for making prompt inspection of damage and for a thorough investigation of each claim. The distributor or manufacturer will not accept claims from dealers for transportation damage.

## Unit Accessories

To complete the installation of this wall sleeve, an architectural is required.

The following accessory is available for the wall sleeve:

Architectural Grille Kit

**NOTE:** Consult an authorized dealer for this accessory.

## Grille Installation Instructions

1. Remove weather guard.
2. Install 6 threaded studs into the threaded holes in the grille (Figure 3). **NOTE:** Studs, nuts and washers may be attached to the grille or may be found in bulk packaging with the grille shipment.



### CAUTION

The top 2/3 portion of the grille must be positioned with the blades in the up position. Otherwise dangerous conditions and system damage will occur.

3. Insert the threaded studs into the slotted holes in the wall sleeve.
4. Secure grille with a washer and 10-32 nut on each stud.

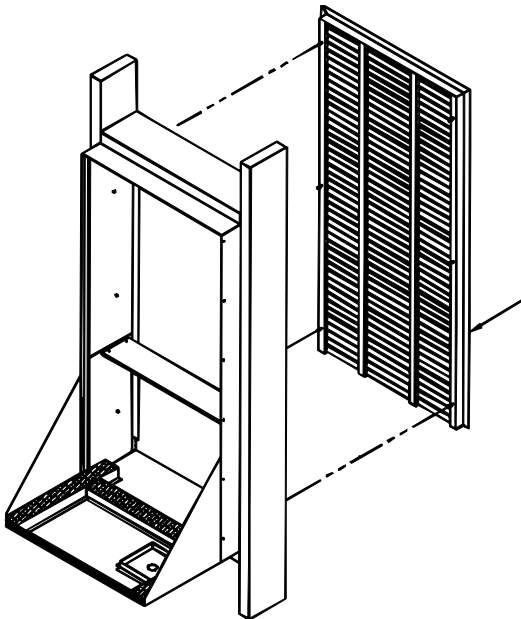


Figure 3

## Installation Instructions

1. Install the sleeve into the pre-cut opening 44"H x 21-5/8"W.
2. The front edge of the sleeve should protrude 1/4" from the finished outside surface of the wall (Figure 4).

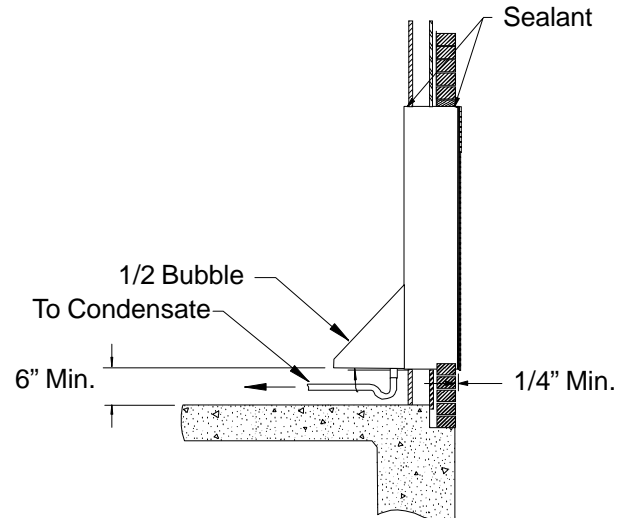


Figure 4

3. Align the sleeve with the wall so that the bottom pan is angled 1/2 bubble toward the outside of the building (Figure 4).
4. Fasten the sleeve to the wall studs at 3 locations on each side. See Figure 3 for approximate locations. Note: It is recommended to use fasteners with seal washers to minimize the possibility of water leakage into the wall.
5. Connect drain plumbing to the 3/4" pipe nipple. Note: Drain line may need to be trapped to prevent sewer gas from entering the structure.



### CAUTION

Damage due to water leakage will occur if the primary drain line and secondary drain passages are obstructed or clogged. Therefore it is necessary to perform periodic maintenance to ensure that drains remain open.

6. Place a bead of silicone sealant or other high grade non-hardening sealing compound approved for exterior use to seal the gap between the wall sleeve and both the inside and outside wall surfaces (Figure 4). Sealant should also be applied around the heads of the fasteners used to secure the sleeve.

**NOTE:** Application of the sealant to both inside and outside surfaces of the sleeve is critical to prevent outside elements from entering the structure. Ensure that the bottom of the sleeve pan is pitched toward the outside to ensure proper secondary drainage.